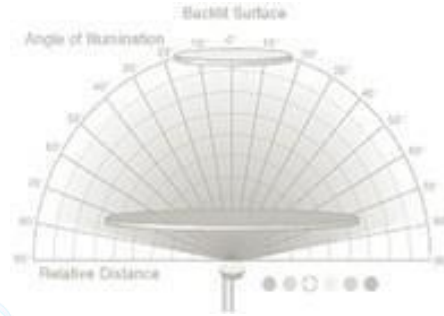


SLDY0014W



No Wiring No electricity!



Product name: **Solar Powered wall Light SLDY0014W**

Housing Material	Engineering plastics +PC
Product size:	20 cm x 20.9cm x21.8 cm
Body Color	black
Solar Panel	3.5W high-efficiency Polycrystalline PV module
Battery	1PC Ni-Mh 2000mAh batteries maintenance free
Controller	Intelligent controller:light/time intelligent control, waterproof, IP 44 guard level;various protections,over charge and over-discharge protect function
Lumen	200lm
LED Source	12 pcs 0.2w LEDs high brightness LED
LED Type	φ 0.3w
LED colors	white
Average Life (hrs)	35000
Average operation time	6-8 hrs/day
Charging time	4 -5 hours



www.senslights.com



Email:info@senslights.com

SLDY0014W



Working time	8-10hours,battery capacity providing 2-3continuous cloudy or rainy days backup
Temperature Range	-40 -- +60 Degree
Protection	IP44

No Wiring No electricity!

Location of the Solar Light

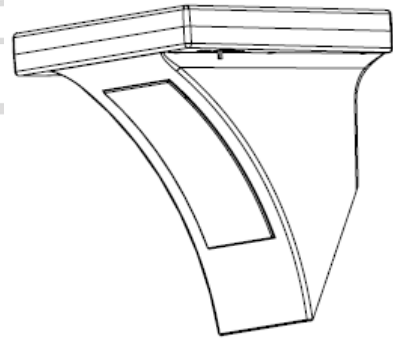
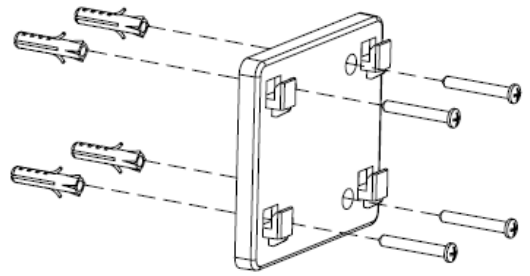
- 1) The solar light must be located in a position where it can get direct sunlight on the solar panel, and generally free from cover and shade. When locating a suitable position for the unit, remember that it detects an area of about 45-60 degrees vertically and about 90-120 degrees horizontally, with a range of over 5 meters.
- 2) The solar light must be left to charge for 2 sunny days before first time use so that best results are achieved.



Assembly Instructions

Lamp installations

- 1) Choose the wall you want to set and signed with the 4 holes.
- 2) Burrowed with Inflatable Screws on the 4 holes.
- 3) Hang the lamp onto the wall base plate .



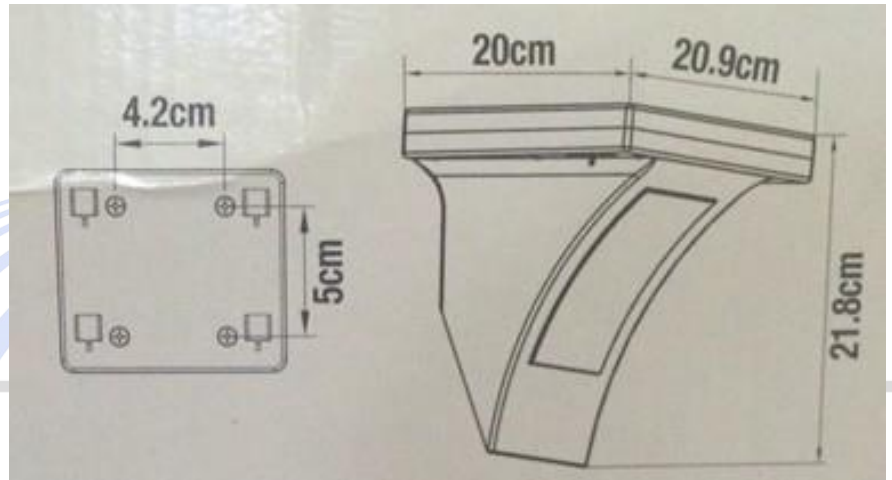
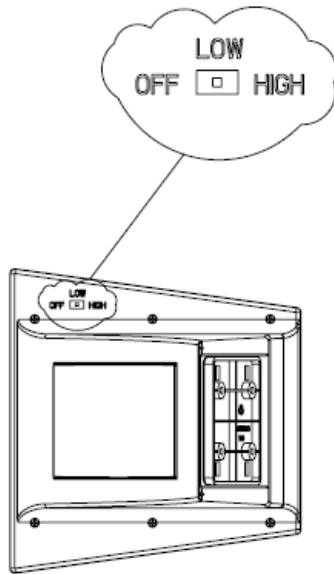
www.senslights.com



Email:info@senslights.com

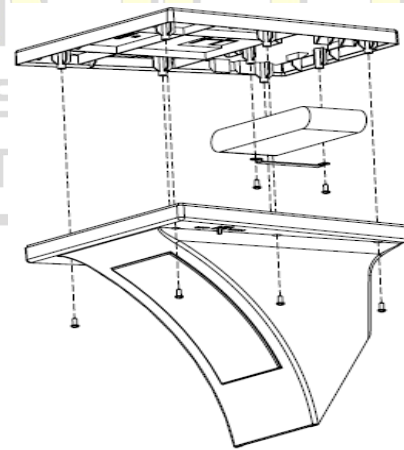
Operation

- 1) Turn the button to the “LOW/HIGH” position so that the batteries can fully charge before use.
- 2) After the initial 2-day charging period, your solar lights are ready for use. Your light will now function automatically.



Replacing the Batteries

- 1) Take off the 4 screws with screwdriver and replace the old Ni-Mh batteries. Make sure the new batteries are Ni-Mh rechargeable batteries.
- 2) Install the new batteries in to the battery compartment, ensuring the correct polarity is observed.
- 3) Reassemble the unit by reversing the above procedure.



SLDY0014W



Trouble Shooting

If your solar light does not come on at dusk despite observance of all the instructions, please try the following steps:

- 1) Make sure that the solar light is not being affected by any other light source.
- 2) Ensure the solar light does not stand in the shade during the day.
- 3) Make sure the switch is in the auto position.
- 4) Check that the batteries are installed correctly.

Maintenance

Clean the solar module regularly with a damp towel to guarantee optimum performance of the solar panel. Do not use any type of solvent for cleaning and be careful not to put too much pressure on the module while cleaning.

If you need any support please contact: support@senslights.com



No Wiring
No electricity



www.senslights.com

Email: info@senslights.com