

SLS-PS30W



www.senslights.com
sales@senslights.com

SLS-PS30W



No Wiring No electricity!

SensLights intelligent solar street light

PROGRAMMABLE

SensLights Smart solar controller built-in, power brightness and lighting time are adjustment.

EXTERNAL SOLAR PANEL

Solar panel separated from light allows to increase power to meet the solar radiations in different latitude and longitude.

Max 200W solar panel is allowed for 50W LED with 6200lm output.



CONNECTION

MC4 male & female plugs directly to 18V solar panel. quick and easy for connection. 2.5mm² power cord for less voltage drop.

MC4 Connectors

COMPACT SYSTEM

Battery and solar controller, sensor are built-inside of light, only need to be connected to 18V system, NO more other operation, easy, simple and quick installation.

Advanced SensLights intelligent solar street light

Solar LED lights have photovoltaic panels mounted on the structure.

Each street light has its own photovoltaic panels and is independent of the other lamps.

Advantages

- 1.Solar street lights are independent of the utility grid. Hence, the operation costs are minimized.
- 2.Solar street lights require much less maintenance compared to conventional street lights.
- 3.Since external wires are eliminated, risk of accidents is minimized.

The solar panel should be always face to sun properly in order to get the highest using efficiency as much as possible, All in one solar street light cannot be adjusted, for the solar panel is fixed.

SensLights solar light is perfect to solve this problem. Easy for customers' installation.



SLS-PS30W



Advanced intelligent solar street light
no wiring no electricity!

Technology Parameters :

Solar Panel : 80W 18v Mono, 19% efficiency ,

Battery : Lithium Battery 432 WH ,
Charging time:6-8hrs (1000w/m²)

Light Source : Bridgelux **COB** LEDs 72pcs,
6000-7000LM ,

Color Temperature : 6000-6500K
CRI >90

Luminous flux: 4200 ~ 4500lm

Charging mode: MPPT

Beam angle: 140*70degree

Contoller: Timer Control+Light Contol+PIR motion sensor

Anti-over discharge ,anti-over charge , anti-short current

Protect Level: IP65

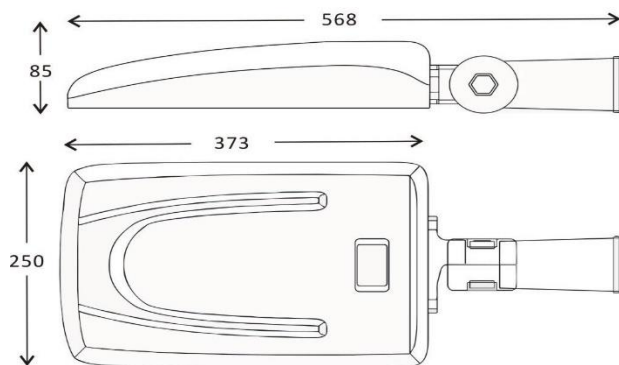
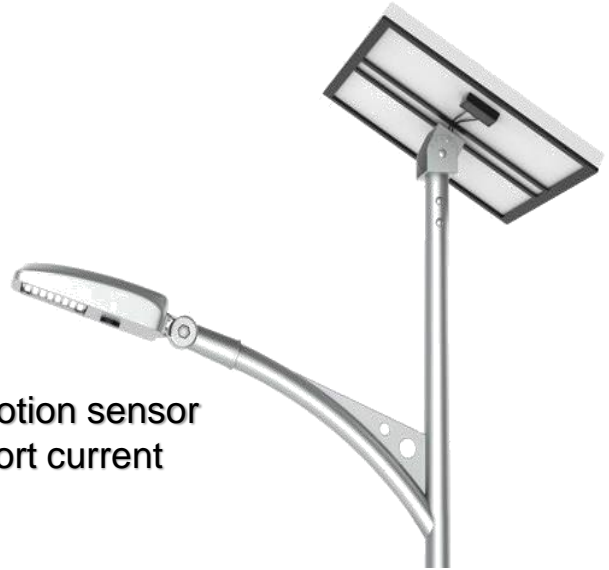
Work Temperature: -20°C-65°C

Height : 6-8Meters

Product Material: Aluminum Alloy+Tempered Glass

Features:

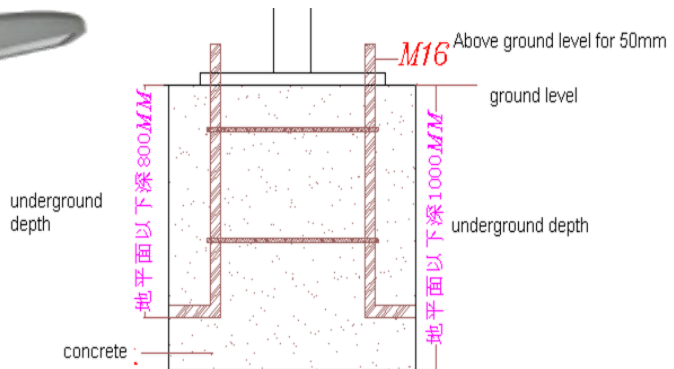
- * Unicase Design , Never Break Up
- * Aluminum body , Never Fade
- * Easy Installation



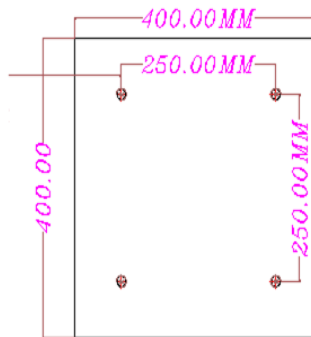
No Wiring No electricity!

MODERN DESIGN INTEGRATED SOLAR LED STREET LIGHT

Recommended Ground Bamboo Cage Spec.



The center distance of the stud is based on the center hole distance on the pole base



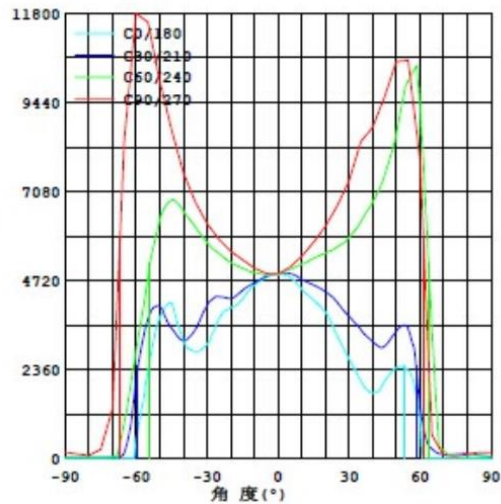
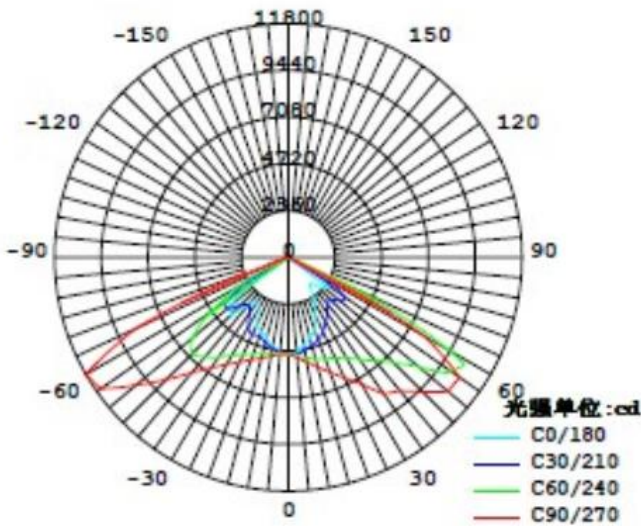
5-8M Installation Height Ground bamboo cage Sepc.
The diagram only for reference , final base on the actual geological environment and requirements



No Wiring No electricity!

modern design integrated solar led street light

Multitasking Corporation test report



SLS-PS30W

No Wiring No electricity!



- (1) Solar Panel
- (2) Bracket
- (3) Screws on spigot
- (4) Spigot
- (5) Pole Top
- (6) Pole Support
- (7) MC4 Connectors
- (8) Light bracket
- (9) Light head
- (10) Plate

Accessories of complete system (except the pole)



1
Solar Panel
With MC4 plugs

2
Bracket

3
Spigot



4
Solar Light Head
with MC4 plugs



5
Screws

SLS-PS30W

No Wiring No electricity!

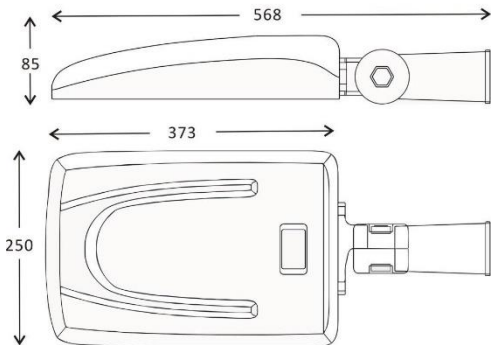


Invisible screws
Finishing as an artwork.
IP65 Waterproof. LM82 Standard.

Philips LED 3030 72Pcs
Lower current, higher efficiency >150lm/W
30W 4200lm, Replace 50W normal desings

Male + Female MC4 Plugs
Directly to MC4 of 18V solar panel
Fast, Simple, stable connection.

2.5MM² solar wires
Big size cable, ensure voltage drops less,
Charging with more efficiency & faster.



Gorgeous surface treatment
Dual-layer powder coating finishing.
Anti atomization & UV

Elegant fixture junction
Japanese quality standard, no dust spot
Precise molding, tiny & slim junction

180° Rotatable basket
Adjustable in 180° degree,
More flexible when installation.

Overhang O.D. ⌀60(mm)
Big size pipe allowed.
Perfect for replacement of halogen light



Smooth & round shape
Friendly design without "thorn" feeling.
Flow shape design.

Water channel design
Water can flow quickly and be able to
clean the surface when there's dust.

Lithium Battery inside 
Long lifetime, 1000 Cycles lithium battery
inside, up to 686WH Max allowed to put.

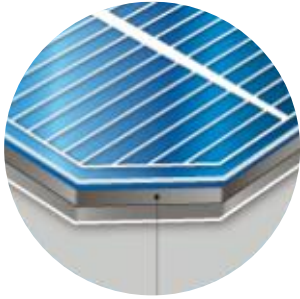
Digital display for position
Precise number mark for rotatable angle.
Clear & quick to adjust light position.

Zigzag design for lock
Best performance to fix light position
Never change angle. can load 70Kg max.

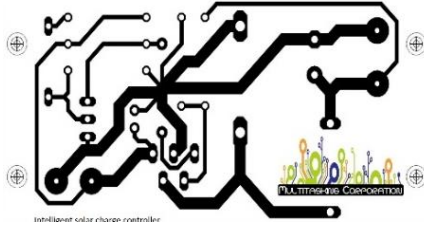


www.senslights.com
sales@senslights.com

Quality Certification Multitasking Corporation test report



Multitask Solar Panel



Intelligent Solar controller



SensLights LED Chip



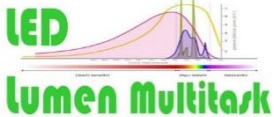
Energy saving rating



Green Energy Products



Green & Eco Friendly Products



LED chip bright and Lumen testing



Quality Standard



No Wiring No electricity!



Solar Powered Products

